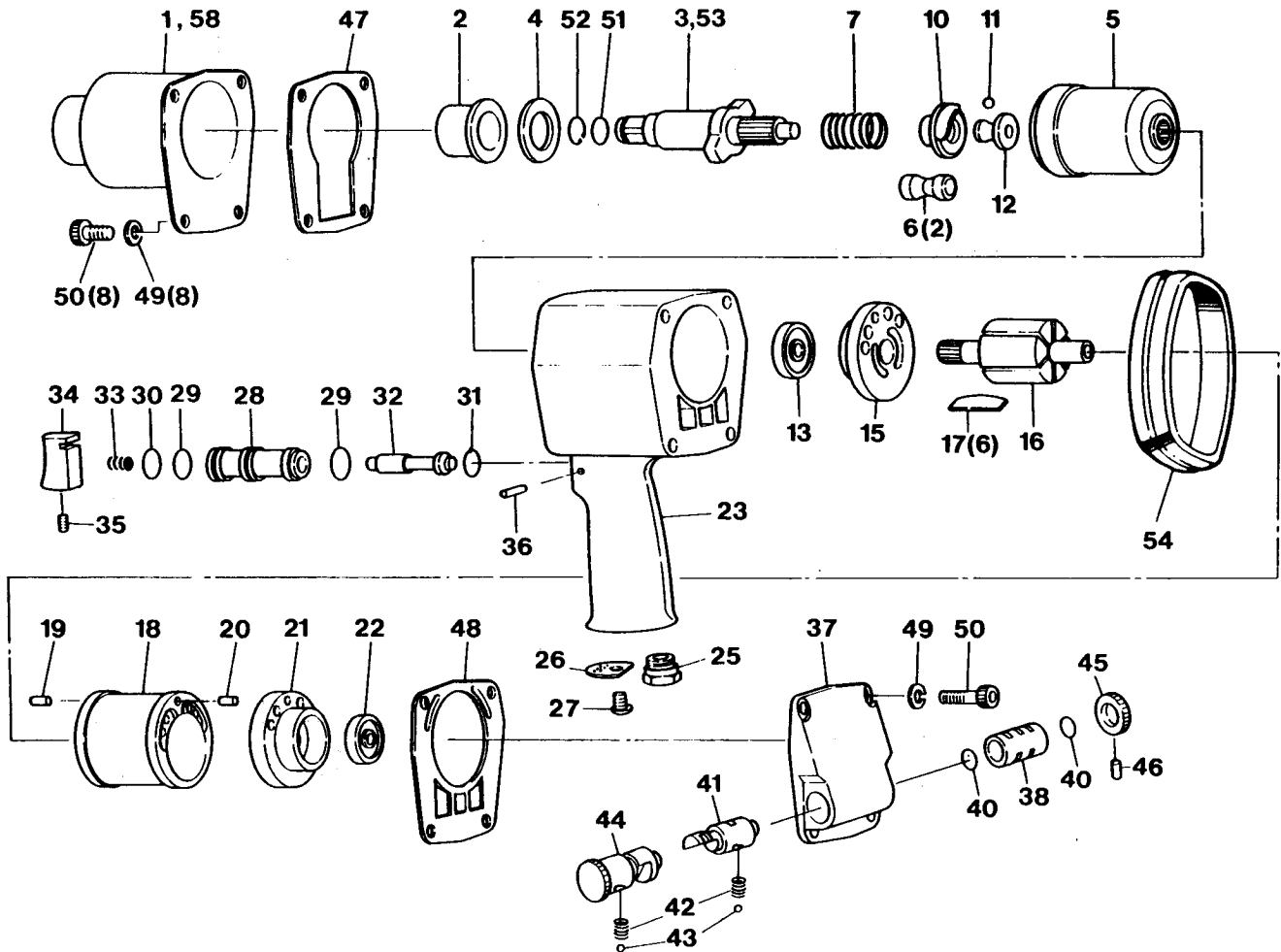


# 3/4" HEAVY-DUTY AIR WRENCH

## EXPLODED VIEW



## PARTS LIST

Index No.	Parts No.	Description	Qty, Per tool
1	156TR01	Hammer Case Assy Incl:(2)-Chromed	1
2	156TR02	Housing Bushing	1
3	156TR03	Anvil Shank	1
4	156TR04	Spacer	1
5	156TR05	Hammer Cage	1
6	156TR06	Pin Anvil Hammer	2
7	156TR07	Spring	1
10	156TR10	Cam	1
11	156TR11	Steel Ball	1
12	156TR12	Cam Ball Pilot	1
13	156TR13	Ball Bearing	1
15	156TR15	Front End Plate	1
16	156TR16	Rotor	1
17	156TR17	Rotor Blade	6
18	156TR18	Cylinder	1
19	156TR19	Roll Pin	1
20	156TR20	Roll Pin	1
21	156TR21	Rear End Plate	1
22	156TR22	Ball Bearing	1
23	156TR23	Motor Housing	1
25	156TR25	Bushing	1
26	156TR26	Exhaust Cover	1
27	156TR27	Screw	1
28	156TR28	Valve Bushing	1
29	156TR29	"O" Ring	2
30	156TR30	"O" Ring	1
31	156TR31	"O" Ring	1
32	156TR32	Valve Stem	1

Index No.	Parts No.	Description	Qty, Per tool
33	156TR33	Valve Spring	1
34	156TR34	Throttle Lever	1
35	156TR35	Screw	1
36	156TR36	Roll Pin	1
37	156TR37	Head Cover Assy Incl:(38)(40)	1
38	156TR38	Reverse Valve Bushing	1
40	156TR40	"O" Ring	2
41	156TR41	Regulator (A) Assy Incl:(42)(43)	1
42	156TR42	Spring	2
43	156TR43	Steel Ball	2
44	156TR44	Regulator (B) Assy Incl:(42)(43)	1
45	156TR45	Reverse Valve Knob	1
46	156TR46	Roll Pin	1
47	156TR47	Gasket	1
48	156TR48	Gasket	1
49	156TR49	Spring Washer	8
50	156TR50	Screw	8
51	156TR51	"O" Ring	1
52	156TR52	Socket Ret. Ring	1
53	156TR53	6" Long Anvil	1
54	156TR54	Housing Band	1
58	156TR58	Hammer Case Assy Incl:(2)-Black-	1